

# **ECP-106**

## **Control Panel 【User Manual】**



**Lite-Puter Enterprise Co., Ltd.**

Website : [www.liteputer.com.tw](http://www.liteputer.com.tw)

E-mail : [sales@liteputer.com.tw](mailto:sales@liteputer.com.tw)

# Index

<b>CHAPTER 1 INTRODUCTION</b> .....	<b>2</b>
1-1 FEATURE .....	2
1-2 SPECIFICATION .....	2
1-3 FUNCTION .....	3
<b>CHAPTER 2 OPERATION</b> .....	<b>4</b>
2-1 ZONE SETTING.....	4
2-1-1 The usage of zone : .....	4
2-1-2 Zone setting on the panel : .....	5
2-1-3 Zone setting by DIP switch : .....	5
2-1-4 Cancel zone setting : .....	5
2-1-5 LED indicator Introduction.....	5
2-2 SCENE RECALL.....	6
2-3 FINE ADJUST DIMMING LEVEL .....	6
2-4 KEY LOCK/ UNLOCK FUNCTION.....	6
2-5 IR REMOTE CONTROL .....	6

## Chapter 1 Introduction

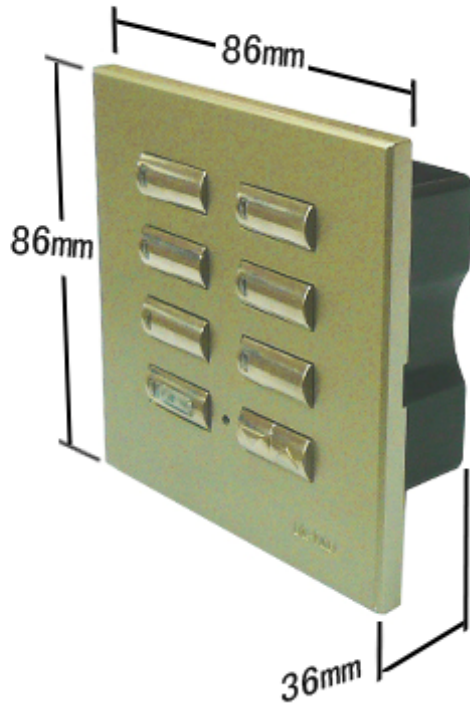
ECP-106 is the scene control panel for EDX system and can be used to connect the EDX device system together, EDX control panel and DMX device.

### 1-1 Feature

- In multi-zone mode, one ECP-106 can control 1-8 zone at the same time.
- In single zone mode, one ECP-106 can control up to 63 zones on the panel and up to 255 zones by the DIP switch.
- Press 【1...6】 of number key from control panel to directly recall 6 scenes.
- Press 【▼】 or 【▲】 to fine adjust the dimming level.
- 256 level dimming solution enables more complicated lighting change.
- Key Lock /unlock function.
- IR remote control.

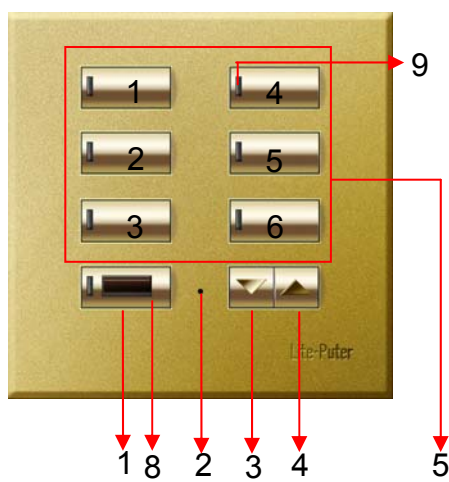
### 1-2 Specification

- Protocol : RS-485
- EDX signal connector : 4 pin green terminal
- Dimension : 86\*86\*34.6mm(W\*H\*D)
- Weight : 90 g

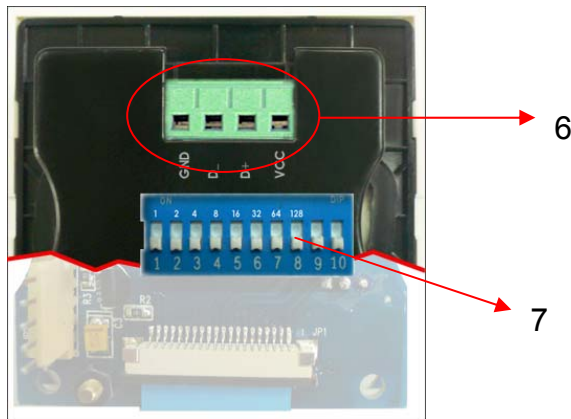


### 1-3 Function

Front



Back signal port:



1	OFF
2	ZONE setting
3	▼ : Down
4	▲ : Up
5	SCENE 1—SCENE 6 / Number button
6	RS-485 terminal (Please pay attention to DIP definition)
7	DIP switch (inside)
8	IR receiver
9	Scene status indicator(2-1-5)

## Chapter 2 Operation

### 2-1 Zone setting

#### 2-1-1 The usage of zone :

Before use, please set each control panel's zone No.. In the EDX system, one ECP-106 can control 1-8 zone at the same time.

ECP-106 has two methods to set the zone: on the panel and DIP switch.

DIP.10 up (ON), set zone by DIP switch.(2-1-3)

DIP.10 down (OFF), set zone on the panel.(2-1-2)

ECP-106 has two control modes: single-zone mode and multi-zone mode.

DIP.9 up (ON), ECP-106 in multi-zone mode.

DIP.9 down (OFF), ECP-106 in single-zone mode.

### 2-1-2 Zone setting on the panel :

Set DIP. 10 down (OFF)

Poke the **【ZONE】** hole and at the same time push one of the number button **【1...6】** to select zone No. and then release them.

Notice: If ECP-106 in single-zone mode(DIP.9 down), use **【1...6】** of number key from panel in binary system to set 1 to 63 zone;

If ECP-106 in multi-zone mode(DIP 9. up), **【1...6】** of number key from panel stand for 1 to 6 zones.

### 2-1-3 Zone setting by DIP switch :

Dismount the back cover of ECP-106, you can see the DIP switch as below:



bit value

DIP1 to 8

single-zone or  
multi-zone setting

zone setting by  
DIP switch or panel

The function of each bit of the DIP switch on the back panel, please see the above graph.

Set DIP. 10 up (ON)

If ECP-106 in single-zone mode (DIP.9 down), use DIP.1 to DIP.8 in binary system to set the zone. (1-255 zone);

If ECP in multi-zone mode (DIP 9. on), DIP.1 to DIP.8 stand for 1 to8 zone.

### 2-1-4 Cancel Zone Setting:

Repeat the steps in 2-1-2 to cancel the zone setting (the LED on the button will turn off). Repeat the steps again to start setting. Set each DIP switch down (OFF) to cancel the zone no. they are stand for.

### 2-1-5 LED Indicator Introduction:

Release **【ZONE】**, when the LED on the button turn on, it means the corresponding scene' s called out.

Poke the **【ZONE】** hole:

If **【OFF】** LED blinks, it means ECP-106 in multi-zone mode;

If **【OFF】** LED blinks fast, it means ECP-106' s zone setting is from DIP switch( there is only LED on **【OFF】** blinks fast on the panel).

For example, if the LED on **【OFF】**blinks and LED on**【2】** and**【3】**glows, it means ECP-106 control Zone2 and Zone3;

If the LED on **【OFF】** turn off and LED on**【2】** and**【3】** glows, it means ECP-106 controls Zone 6.

## 2-2 Scene recall

Press **【1】** ~ **【6】** to recall corresponding scenes.

For example : press **【1】** to recall the SC1 and the LED on the button will glow.

If SC1 ~ SC6 is preset in FADE mode, press **【1】** ~ **【6】** once and the scenes will fade in; quick press **【1】** ~ **【6】** twice and the scenes will be directly called out.

## 2-3 Fine adjust dimming Level

Press **【▼】** and **【▲】** to fine adjust dimming level.

## 2-4 Key Lock/ unlock Function

Poke and held**【ZONE】**hole and press the**【OFF】** at the same time to lock button and repeat the step to unlock.

## 2-5 IR remote control

ECP-106 can receive IR single from remote controller to recall the scenes and adjust dimming level.

**APPENDIX Binary Zone Setting Guide**

ZONE	8 bit DIP	ZONE	8 bit DIP	ZONE	8 bit DIP
	<b>12345678</b>		<b>12345678</b>		<b>12345678</b>
<b>1</b>	10000000	<b>2</b>	01000000	<b>3</b>	11000000
<b>4</b>	00100000	<b>5</b>	10100000	<b>6</b>	01100000
<b>7</b>	11100000	<b>8</b>	00010000	<b>9</b>	10010000
<b>10</b>	01010000	<b>11</b>	11010000	<b>12</b>	00110000
<b>13</b>	10110000	<b>14</b>	01110000	<b>15</b>	11110000
<b>16</b>	00001000	<b>17</b>	10001000	<b>18</b>	01001000
<b>19</b>	11001000	<b>20</b>	00101000	<b>21</b>	10101000
<b>22</b>	01101000	<b>23</b>	11010000	<b>24</b>	00011000
<b>25</b>	10011000	<b>26</b>	01011000	<b>27</b>	11011000
<b>28</b>	00111000	<b>29</b>	10111000	<b>30</b>	01111000
<b>31</b>	11111000	<b>32</b>	00000100	<b>33</b>	10000100
<b>34</b>	01000100	<b>35</b>	11000100	<b>36</b>	00100100
<b>37</b>	10100100	<b>38</b>	01100100	<b>39</b>	11100100
<b>40</b>	00010100	<b>41</b>	10010100	<b>42</b>	01010100
<b>43</b>	11010100	<b>44</b>	00110100	<b>45</b>	10110100
<b>46</b>	01110100	<b>47</b>	11110100	<b>48</b>	00001100
<b>49</b>	10001100	<b>50</b>	01001100	<b>51</b>	11001100
<b>52</b>	00101100	<b>53</b>	10101100	<b>54</b>	01101100
<b>55</b>	11101100	<b>56</b>	00011100	<b>57</b>	10011100
<b>58</b>	01011100	<b>59</b>	10011100	<b>60</b>	00111100
<b>61</b>	10111100	...	...	<b>255</b>	11111111

※ 0 stands for DIP down (OFF); 1 stands for DIP up (ON).